

MADE TO MEASURE ROLLER SHUTTERS

FIRESAFE™ BUSHFIRE RATED ROLLER SHUTTER

Protects Property And Families!



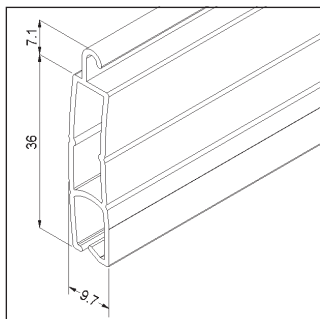
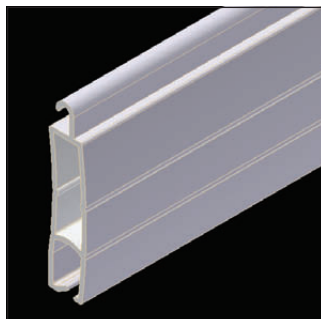
This roller shutter is ideal for home and business owners who want to protect their property and families from bushfires, because they live in high risk, bushfire prone or wooded, high vegetation, country and semi-rural locations. It is made with a precision extruded roller shutter profile.

SUITABLE APPLICATIONS

- Domestic & Commercial Windows.
- Domestic & Commercial Doorways.
- Commercial Shop Fronts.
- Garage Doors.
- High Security & Fire Protection for Factories, Warehouses, Clubs, Pubs & Hotels, Restaurants, Pharmacies, Sports Complexes, Arcades, Shopping Mall Entrances, Mining & High Security Areas.

FEATURES

- Bushfire rated to Bushfire Attack Level (BAL) A40.
- Tested by CSIRO (Report# FSZ1379).
- Complies with Australian Bushfire Construction Standard AS3959-2018 (Clauses 3.7 & 8.5.1).
- Radiant heat shielding properties to 40 kW/m².
- High quality, strong aluminium alloy construction.
- Commercial grade double wall extruded profile for heavy duty strength & extreme heat protection.
- High quality powder coated finish for maximum abrasion resistance.
- Double line grooved and slight curved face profile.
- Roll-tight design.
- Range of colours.
- Heavy duty steel axle with high quality internal sealed bearings.
- Suitable for widespan widths up to 5800mm.
- Can be manually operated or motorised (Manual with steel cable up to 5m²).
- FireSafe™ Authentication Plate fitted.
- Made in Australia.



TECHNICAL SPECIFICATIONS

Bushfire Attack Level Rating	BAL A40
Maximum Shutter Width	5800mm
Maximum Shutter Height	3000mm
Maximum Surface Area	12m ²
Curtain Weight/Metre ²	7.5kg
Number Of Slats/Metre	28
Profile Slat Covering	36mm
Profile Slat Thickness	9.7mm
Axle Types	Octagonal Steel
Bottom Bar Dimensions	55mm x 8.5mm
Guide Dimensions	68mm x 25mm/14mm (Heavy Duty Guide)
Paint Finish	High Quality Powder Coat Finish

General Note: All dimensions and colours are indicative only and may change without notice. Profile technical specifications and shutter performance may vary in certain applications, eg. wide applications with no solid structure behind the roller shutter. For more information please contact your CW Products representative.

MADE TO MEASURE ROLLER SHUTTERS

PELMET SIZES & MAXIMUM SHUTTER HEIGHT

Pelmet Box Size	Max. No. Of Slats	Max. Shutter Height (Including Pelmet)	Axle Size
180mm	50	1800mm	60mm
205mm	56	2020mm	70mm
230mm	72	2600mm	70mm
250mm	90	3250mm*	70mm
250mm	85	3050mm*	101mm with adaptor
250mm	72	2590mm	130mm with adaptor

* Measurement exceeds recommended maximum shutter height. May be allowed if other technical specifications are met. Check with your local CW Products representative.

ROLLER SHUTTER COLOUR OPTIONS

Profiles	Pelmets/Side Frames/Guides/Bottom Bars
Cream	Cream
Magnolia Cream	Magnolia Cream
Clear Beige	Clear Beige
White	White
Shale Grey	Shale Grey
Black	Brown
Monument	Black
Anodised Silver	Monument
Woodland Grey	Woodland Grey

Powder coated options available (additional charges apply)

CONTROL OPTIONS

Manual Options



Steel Cable Winder (Up To 50Kg)



Spring Loaded With Key Lock



Crank Handle With Gear Ace (Up To 30Kg) See Page 43 For Universal Joint Position Options For Gear Ace Shutters

Motorised Options



PowerSmart™ Control System With 12V Motor (Up To 50Kg)*



Wall Switch With 240V Electric Manual Override Motor



Remote Control With 240V Electric SIMU Hz Manual Override Motor

Motorised Options (continued)



Crank Handle With 240V Electric Manual Override Motor

* When used in conjunction with an assist spring as per CW Products specifications.

FIRESAFE™ AUTHENTICATION PLATE

All FireSafe™ shutters are fitted with an Authentication Plate with Serial Number to ensure genuine product and product performance that meets Australian Standards.



* CW Products recommends the use of Photo Safety Cells and a Safety Brake when installing automated roller shutters over openings and doorways. Especially when the roller shutter is not in full view of the operator (eg. when using a remote control or wall switch positioned away from the roller shutter and out of view). When using a wall switch, we recommend a spring return switch/deadman switch.

* CW Products recommends that FireSafe Bushfire Rated Roller Shutters shall: a) be fixed to the building and be non-removable; b) when in the closed position, have no gap greater than 3mm between the shutter and the wall, the sill or the head; c) be readily manually operable from either inside or outside; d) protect the entire window assembly or door assembly; e) consist of materials specified in Clauses 5.5.1, 6.5.1, 7.5.1, 8.5.1 & 9.5.1 for the relevant BAL.

To order please complete a **CW Products Made To Measure Roller Shutter Order Form.**